



# Crime Prevention Products

Copsham House, 53 Broad Street,  
Chesham, Buckinghamshire, HP5 3EA

Tel : 01494 792592

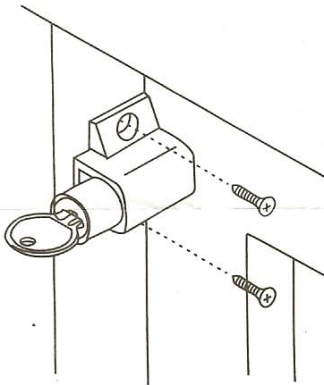
Fax : 01494 792590



## WINDOW OR PATIO DOOR LOCK

### PRODUCT CODE: CPP-LK11

DH1175



Before you begin – read instructions thoroughly.

Caution: Before drilling, make sure drill will clear glass! Package includes non-removable screws. Use these only after completing installation with standard screws.

Important! Before installation, check with patio door manufacturer for door specifications. Failure to do so may result in glass breakage.

1. Determine placement of lock. Lock may be affixed on the top or bottom of the door frame, on the interior or exterior. Lock must be affixed on edge of the door that is in front of the recessed door.
2. With bolt extended, position lock on door and mark bolt position by tapping lock lightly with hammer. Remove lock.
3. Drill hole to a depth of 9/16" (14mm) using a 9/16" (14mm) diameter drill bit. Be sure to clear glass! Insert bolt housing into hole if desired.
4. Position lock on door again, sliding bolt into hole. Mark holes for screws.
5. Install lock with Phillips head screws and check lock operation. Or, to make door tamper-proof – remove screws and replace with non-removable screws.

NOTE: Additional holes (on horizontal line with first hole) may be drilled to allow door to be locked in vent position.